

PET bottle perforator

Features and benefits

- PRESTO PET bottle perforators allow you to destroy PET bottles and prepare them for compaction.
- The use of the system in combination with other PRESTO compactors leads to optimum compaction results.
- PRESTO PET bottle perforators can be fed manually, by a forklift, conveyor or wheel loader.
- Other plastic containers can also be perforated effectively.

Container Pressen | Schneckenverdichter | Ballenpressen | Umlade- und Verschiebeanlagen | Hub-Kippvorrichtungen
Compactors | Auger Compactors | Balers | Transfer and Shifting Stations | Bin Lifters



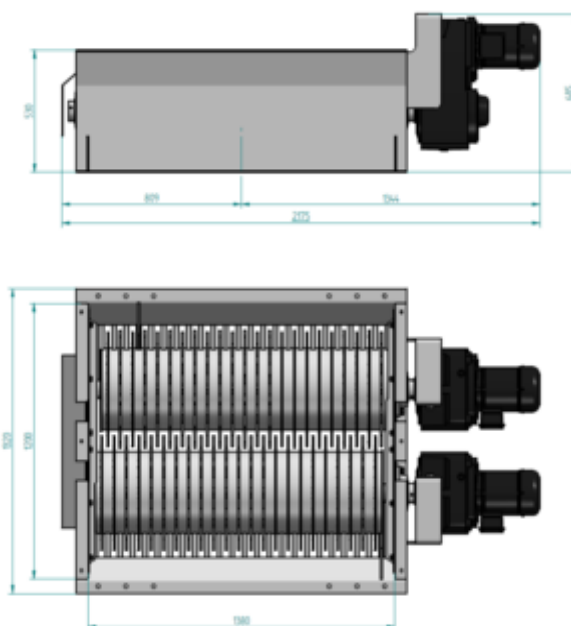
Guaranteed powerful performance

The robust steel construction and quality workmanship ensure durability and reliable function.

Two revolving wear-resistant spiked drums pull the PET bottles or beverage tins into the machine.

High-quality components ensure reliable function, low need for maintenance and low-noise operation at < 65 dB (A).

Of course our paints contain neither lead nor chromium, and you can select the colour of your choice.



		PF 44	PF 80
Length (L)	mm	2155	2175
Width (B)	mm	1320	1320
Height (H)	mm	685	685
Feeding opening	mm	1380 x 1200	1380 x 1200
Feeding volume, max.	m ³	0,8	0,8
Rev. per minute	n/min	13 / 13	20 / 20
Machine weight	kg	1450	1500
Motor power rating	kW	4,4	8
Electrical power supply		3 L / N / PE; 400 V, 50 Hz	

Subject to technical modifications without notice.

PRESTO GmbH & Co. KG

Gewerbepark 4 | D-49196 Bad Laer

Fon +49 5424 2927-0 | Fax +49 5424 2927-90

kontakt@presto.eu | www.presto.eu