


## Wet waste compactor with pendulum compaction plate

 Container Pressen | Schneckenverdichter | Ballenpressen | Umlade- und Verschiebeanlagen | Hub-Kippvorrichtungen  
Compactors | Auger Compactors | Balers | Transfer and Shifting Stations | Bin Lifters



# Wet waste compactor with pendulum compaction plate

## Versatile and effective

PRESTO wet waste compactors can be used wherever organic waste such as fruit and vegetables or any waste with a large water content is generated.

A swinging compaction plunger that is firmly connected with the container compacts the material. The feeding opening is especially low to facilitate feeding the PRESTO wet waste compactor.

## Easy and safe

Reliable function and user-friendliness go without saying for all PRESTO products. Not only in operation, but also in terms of integration into the working environment.

The use of a PRESTO wet waste compactor does not require any special construction work. An electrical power supply is all that is necessary for putting it into service.



## Carefree disposal

The reuse of recycling material or disposal of waste is an important task in the business activities of many companies.

Our long-standing experience in environmental technology and our most modern development and production methods allow us to manufacture products which our customers use as a functional and cost-efficient link in the chain of recycling material compaction and disposal.

## Tailored for customer needs

Wherever various moist or wet materials are generated and need to be disposed PRESTO wet waste compactors can be used.

A large choice of accessories allows us to meet all customer-specific requirements.

We develop your individual optimum solution for your disposal problem.

Talk to us !

## Features and benefits

- The particularly low feeding opening and the foldable hook (PHR version) offer maximum feeding comfort.
- The drive elements and bearings are located on the outside and do not get into contact with the waste material. Low-maintenance operation is ensured.
- The plunger swings in its bearing and is self-cleaning. A cleaning opening is not necessary. The large aggregate cabinet ensures service-friendly access.
- The rib-free structure offers you large advertising space.
- Since the design is absolutely water-tight the installation site cannot be soiled by any leaking liquids.
- The central locking system is operated from one side, so the emptying hatch can be opened safely and quickly.



## Guaranteed powerful performance

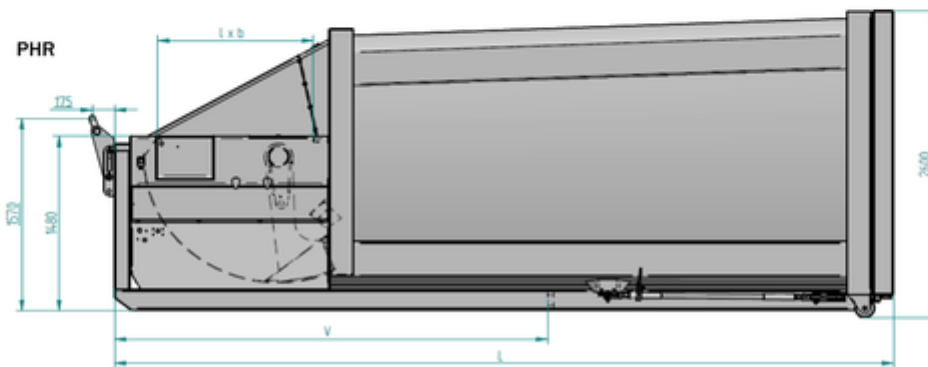
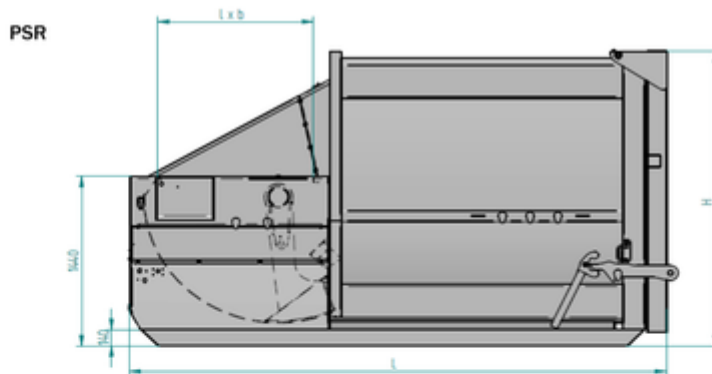
The bent corner profiles ensure particular stability and the elegant rounded corner design. The robust, continuously welded steel construction prevents rust creep.

High-quality components ensure reliable function, low maintenance and quiet operation < 70 dB (A).

Handling is easy, a foundation is not required, and the unit can be put into service immediately.

Of course our paints are lead and chromium free, and you can select the colour of your choice.

**Wet waste compactor  
with pendulum compaction plate**



		PSR 8	PSR 10	PHR 16	PHR 20
Content	m <sup>3</sup>	8	10	16	20
Length (L)	mm	3830	4330	5540	6190
Width (B)	mm	2040	2040	2420	2420
Height (H)	mm	2500	2500	2600	2600
Feeding opening	mm	1200 x 1430	1200 x 1430	1200 x 1430	1200 x 1430
Plunger surface area (h x b / height x width)	mm	295 x 1430	295 x 1430	295 x 1430	295 x 1430
Feeding volume, max.	m <sup>3</sup>	2	2	2	2
Dist. container end to locking trunnion (V)	mm	--	--	3265	3515
Compaction force	kN	240	240	240	240
Specific Compaction force	kN/m <sup>2</sup>	280	280	280	280
Cycle time	S	20	20	20	20
Machine weight	kg	2750	2900	4150	4350
Motor power rating	kW	5,5	5,5	5,5	5,5
Electrical power supply		3 L / N / PE; 400 V, 50 Hz			

Subject to technical modifications without notice

**PRESTO GmbH & Co. KG**

Gewerbepark 4 | D-49196 Bad Laer

Fon +49 5424 2927-0 | Fax +49 5424 2927-90

kontakt@presto.eu | www.presto.eu