

Mobile compactor

roll on, roll off container - type HG / HGS

Simply powerful

PRESTO mobile compactors can be used wherever a wide variety of recyclable and residual materials have to be disposed of with roll-off loaders. A compacting device firmly connected with the container compacts the material.

PRESTO mobile compactors are your functional, cost-saving link in the recycling cycle. We design the optimum solution for your disposal requirements.

Individually usable

for materials and recyclables like paper and cardboard, residual waste and commercial waste through to packaging waste

for industries such as retail and industrial companies, waste disposal companies, retail chains, discounters and many more.



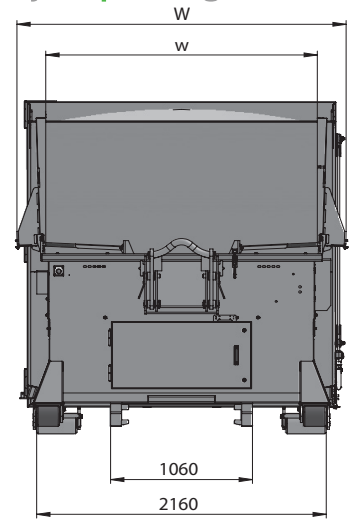
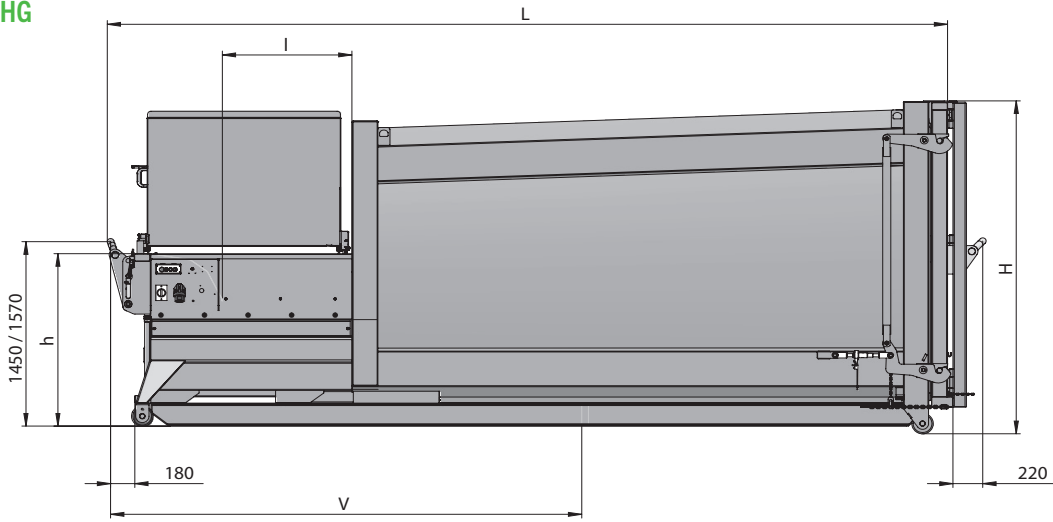
Versatile & efficient

- Maximum filling convenience thanks to particularly low filling opening
- Side-operated central locking system for quick and easy opening of the emptying flap / door
- Low maintenance due to optimum location of the polyamide and press plate guide
- Comfortable maintenance and cleaning via large cleaning door
- Flexible installation location - plug and play (solid base, power supply required)
- Robust and stable, continuously welded steel construction

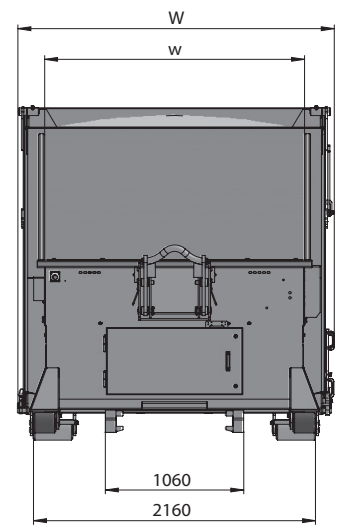
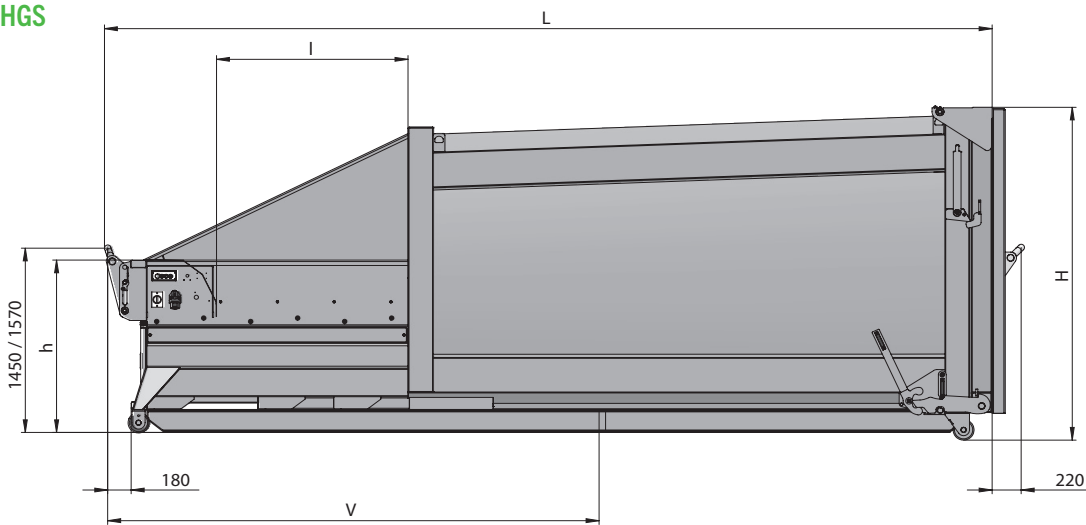
Economical & elegant

- Solid basic equipment and individual choice of accessories for customer-specific requirements
- RAL color selection from a variety of lead and chromium free paints
- Low-noise operation of < 60 dB (A)
- Large advertising space due to frame-free design
- PRES-TO-GO control > reduced power consumption, CO₂ reduction through optimal route planning
- Overview, access and management via PRES-TO-web / PRES-TO-GO app

HG



HGS



		HG 16 R	HG 20 R	HG 22 R	HG 24 R	HGS 16 R	HGS 18 R	HGS 20 R	HGS 24 R
Volume	m ³	16	20	22	24	16	18	20	24
Length (L)	mm	5650	6300	6750	7200	6150	6480	6800	7700
Width (W)	mm	2420	2420	2420	2420	2420	2420	2420	2420
Height (H)	mm	2600	2600	2600	2600	2600	2600	2600	2600
Locking dimension (V)	mm	3140	3515	3765	4015	3390	3640	3765	4140
Filling height (h)	mm	1350	1350	1350	1350	1350	1350	1350	1350
Filling opening (l x w)	mm	1000 x 1800	1000 x 1800	1000 x 1800	1000 x 1800	1470 x 1800	1470 x 1800	1470 x 1800	1470 x 1800
Filling volume, max.	m ³	1,7	1,7	1,7	1,7	2,6	2,6	2,6	2,6
Pressing force	kN	345	345	345	345	345	345	345	345
Specific pressing force	kN/m ²	310	310	310	310	310	310	310	310
Cycle time	s	36	36	36	36	50	50	50	50
Machine weight	kg	4440	4710	4895	5080	4780	4915	5050	5425
Motor power rating	kW	5,5	5,5	5,5	5,5	5,5	5,5	5,5	5,5
Electrical power supply		3 L / N / PE; 400 V, 50 Hz							

Subject to technical changes; the figures are rounded and may vary depending on the equipment version.
Other machine sizes on request.

PRESTO GmbH & Co. KG

Gewerbepark 4 | D-49196 Bad Laer
Fon +49 5424 2927-0 | Fax +49 5424 2927-90
kontakt@presto.eu | www.presto.eu

05/2024

more data-
scan hier

