


Megapress

roll on, roll off container

 Container Pressen | Schneckenverdichter | Ballenpressen | Umlade- und Verschiebeanlagen | Hub-Kippvorrichtungen
Compactors | Auger Compactors | Balers | Transfer and Shifting Stations | Bin Lifters



Megapress

roll on, roll off container

Versatile and effective

The PRESTO Megapress can be used with large amounts of recycled material, cardboard, pallets, furniture and other types of dry, bulky material.

A compactor that is firmly connected to the container compacts the material effectively.

Easy and safe

Reliable function and user-friendliness go without saying for the PRESTO Megapress products. Not only in operation, but also in terms of integration into the working environment.

The use of a Megapress does not require any special construction work. An electrical power supply is all that is necessary for putting it into service.



Carefree disposal

The reuse of recycling material or disposal of waste is an important task in the business activities of many companies.

Our long-standing experience in environmental technology, most modern development and production methods allow us to manufacture products which our customers use as a functional and cost-efficient link in the chain of recycling material compaction and disposal.









Tailored for customer needs

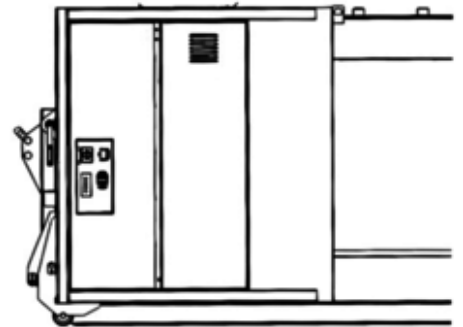
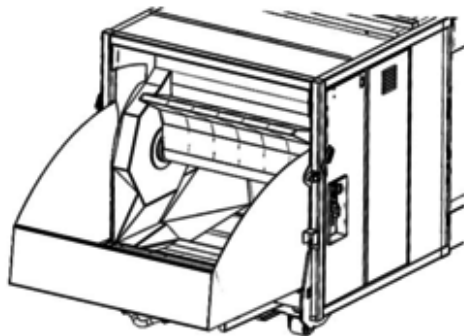
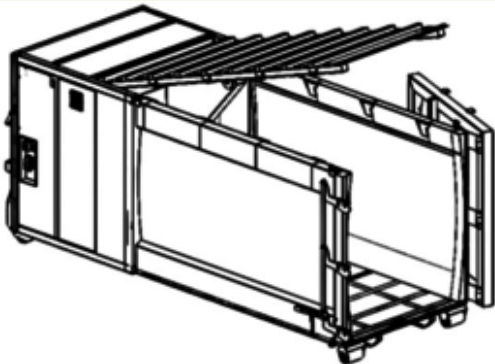
No matter how many kinds of dry materials are being generated and to be disposed, PRESTO Megapress mobile compactors can be used.

A large choice of accessories allows us to meet most of the customer's specific requirements.

Talk to us!

Features and benefits

-  low (1.120 mm) and large filling chamber for easy and user-friendly filling
-  floated roof for easy, fast emptying
-  solid, robust design with high compaction force (50 to)
-  easy compaction of bulky, voluminous material
-  PRES-TO-GO control > access and management via PRES-TO-web / App
-  large, double-wing service doors for easy maintenance
-  drive and bearing elements located on the outside (do not come in contact with waste)
-  frame-free design for large-area advertising possibilities



Guaranteed powerful performance

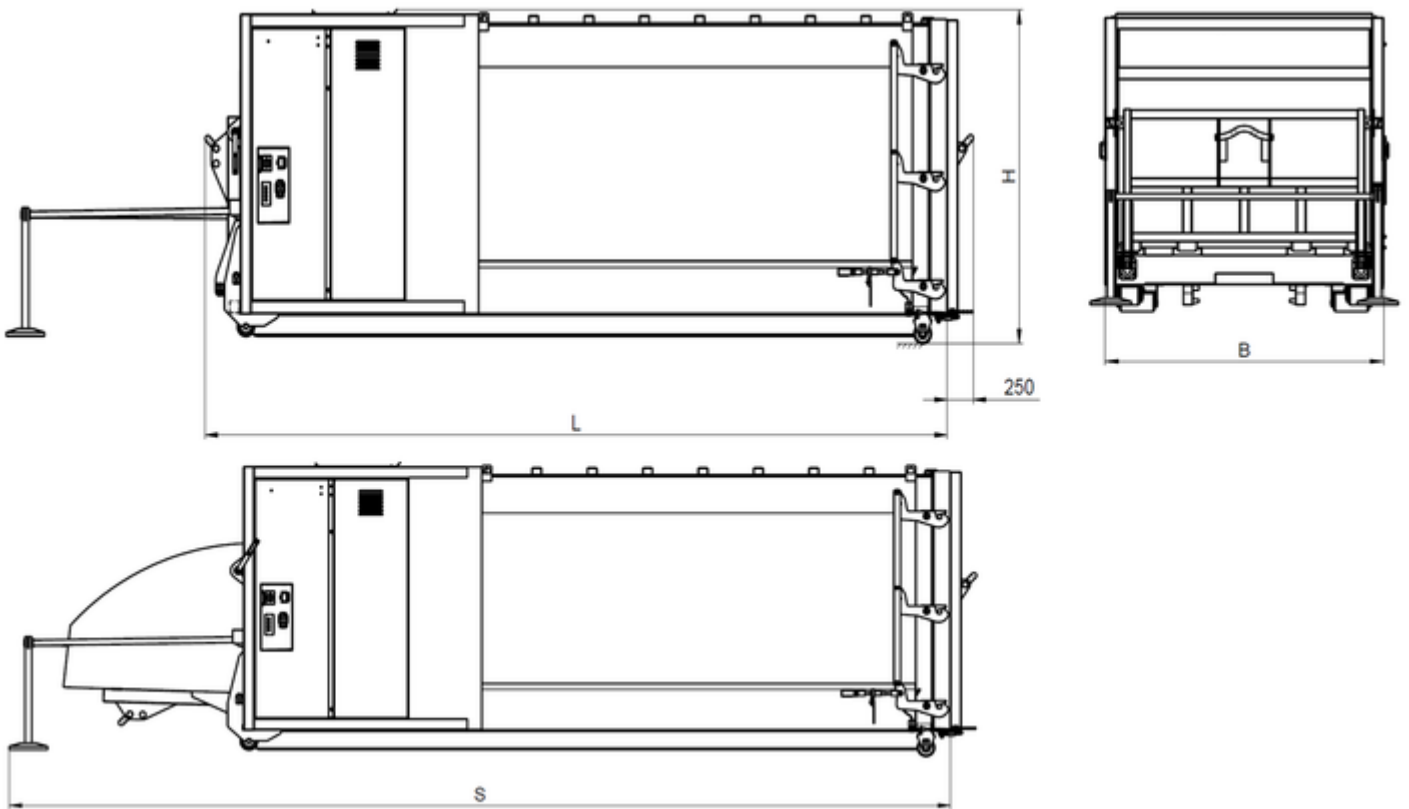
The wear-resistant press chamber and the resistant press plate with 50 tons pressing force compact effectively and securely even the toughest materials.

Another advantage is the stable corner profiles and the robust container body.

Handling of the PRESTO Megapress is easy, a foundation is not required, and the unit can be put into service immediately.

Of course our paints are lead- and chromium-free and you can select the colour of your choice.

Megapress
roll on, roll off container



		Megapress MP 26	Megapress MP 28
Volume	m ³	26	28
Length (L)	mm	6615	6975
Width (B)	mm	2440	2440
Height (H)	mm	2650	2650
Space requirement (S) l x b x h	mm	8690 x 2675 x 2650	8750 x 2675 x 2650
Feeding height	mm	1120	1120
Feeding opening (lxb)	mm	2030 x 1825	2030 x 1825
Feeding volume, max.	m ³	2,5 - 4,0	2,5 - 4,0
Dist. container end to locking trunnion (V)	mm	3640	3765
Compaction force	kN	500	500
Cycle time	S	60	60
Machine weight	kg	6400	6600
Motor power rating	kW	5,5	5,5
Electrical power supply		3 L / N / PE; 400 V, 50 Hz	

Subject to technical modifications without notice

PRESTO GmbH & Co. KG

Gewerbepark 4 | D-49196 Bad Laer

Fon +49 5424 2927-0 | Fax +49 5424 2927-90

kontakt@presto.eu | www.presto.eu