


Channel balers

Type HPK – long version

 Container Pressen | Schneckenverdichter | Ballenpressen | Umlade- und Verschiebeanlagen | Hub-Kippvorrichtungen
Compactors | Auger Compactors | Balers | Transfer and Shifting Stations | Bin Lifters



Channel balers

Type HPK – long version

Versatile and effective

Due to their compact design the PRESTO channel balers, type HPK, require little space. They are used to compact large quantities of recycling materials to make stable bales. Stable, stackable bales help you to use your storage space and transportation capacity efficiently and to reduce costs.

The system can be fed continuously, either manually or by machines.

Easy and safe

Reliable function and user-friendliness go without saying for all PRESTO products. Not only in operation, but also in terms of integration into the work environment.

A PRESTO channel baler is ready for use as soon as the machine is installed on its foundation and power is supplied.



Carefree disposal

The reuse of recycling material or disposal of waste is an important task in the business activities of many companies.

Our long-standing experience in environmental technology and our most modern development and production methods allow us to manufacture products which our customers use as a functional and cost-efficient link in the chain of recycling material compaction and disposal.

Tailored for customer needs

Wherever large quantities of packaging waste and industrial products are generated and need to be disposed PRESTO channel balers can be used.

A broad range of accessories is available to meet all customer-specific requirements.

We develop your individual optimum solution for your disposal problem.

Talk to us !

Features and benefits

- The automatic channel adjustment keeps the compaction density of the material constant.
- The push-needle and the automatic binding system make for a compact design and minimum wire consumption.
- The plunger runs in polyamide guides on all sides and works silently, the sliding guides are low-wear adjustable elements.
- The system with blade and counter-blade ensures continuously high bale quality.
- The PLC system with a touch panel allows you to set important parameters and makes the unit user-friendly.



Guaranteed powerful performance

The preselection of several compaction pressures on a PRESTO channel baler, type HPK, allows you to make easy and quick adjustments to a diversity of materials.

The trouble-free motion detectors work contact-free and thus increase machine availability.

The channel bottom is lined with exchangeable wear panels to ensure a long service life.

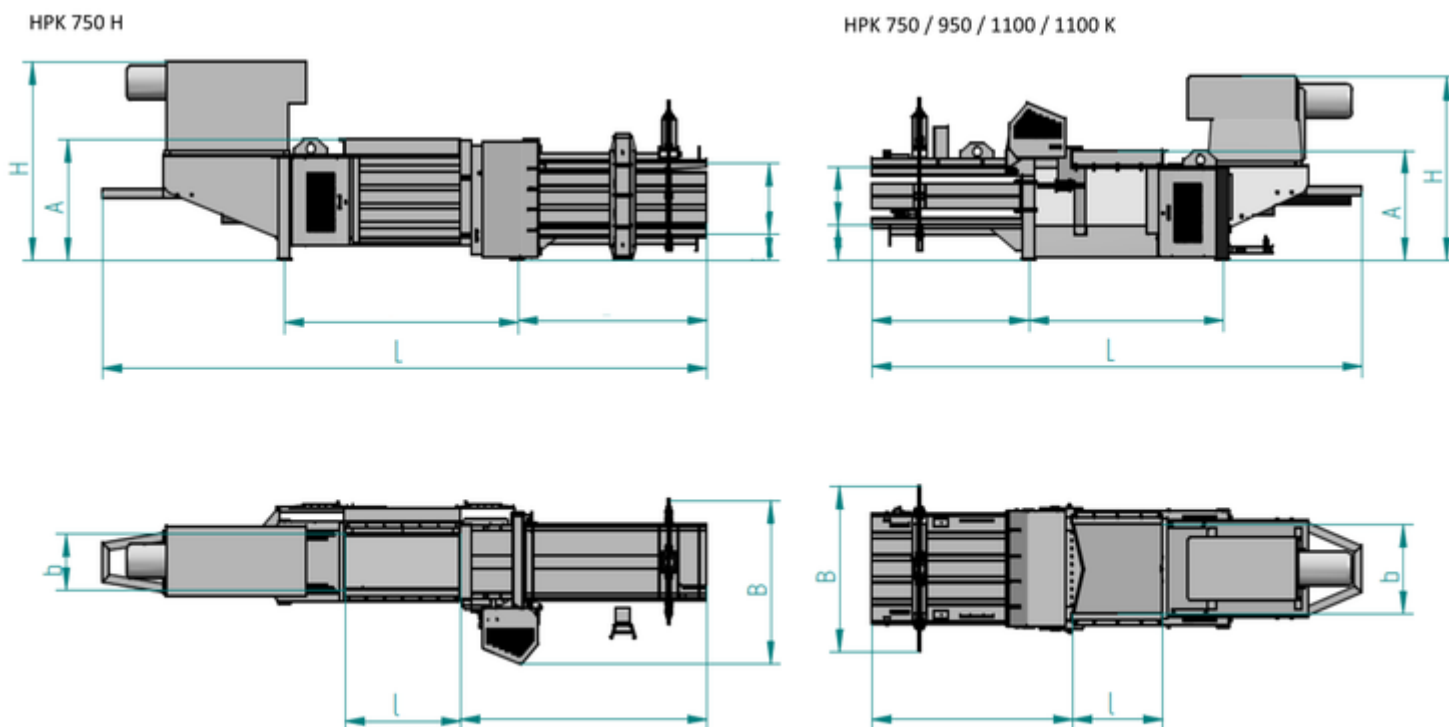
High-quality components ensure reliable function and quite operation < 80 dB (A).

The hydraulic central drive with a demand-controlled axial piston pump helps save energy.

Of course our paints are lead and chromium free, and you can select the colour of your choice.

Channel balers

Type HPK – long version



		HPK 750	HPK 950	HPK 1100	HPK 1100	HPK 1100 K	HPK 750 H
drive power	kW	15 / 22 / 30	30 / 55	30 / 55	30 / 55	15 / 22	30 / 55
Length (L)	mm	7650	8550	8550	8550	6820	8420
Width (B)	mm	1710	1850	1950	1950	1950	1900
Space required	mm	10700 x 2600	11650 x 2800	11700 x 2950	11700 x 2950	10000 x 2900	11250 x 3350
Height (H)	mm	2400	2400	2400	2700	2160	2400
Dimension A	mm	1510	1510	1510	1510	1290	1410
Feeding opening (l x b - 50)	mm	1200 x 700	1600 x 900	1600 x 1050	1600 x 1050	1250 x 1050	1600 x 650
Channel cross-section	mm	750 x 700	950 x 700	1100 x 700	1100 x 700	1100 x 700	700 x 950
Feeding volume, max.	m ³	0,63	1,06	1,23	1,23	0,96	1,06
Volume throughput with bulk weight							
35 kg / cbm (retail store)	m ³ /h	53 / 90 / 107	158 / 197	171 / 217	140 / 186	88 / 163	158 / 197
60 kg / cbm (mixed materials)	m ³ /h	49 / 82 / 97	146 / 188	160 / 205	138 / 180	75 / 130	146 / 188
100 kg / cbm (collected materials)	m ³ /h	45 / 73 / 86	127 / 164	139 / 180	126 / 159	72 / 123	127 / 164
Compaction force	kN	500	500	500	700	500	500
Specific compaction force	kN/m ²	952	752	650	910	650	752
Cycle time	sec	36 / 21 / 17	20 / 15	20 / 15	25 / 18	32 / 19	20 / 15
Number of binding straps/wires	piece	3	4	4	4	4	4
Weight throughput with bulk weight							
35 kg / cbm (retail store)	t/h	1,86 / 3,14 / 3,75	5,5 / 6,9	6,0 / 7,6	4,9 / 6,5	3,1 / 5,7	5,5 / 6,9
60 kg / cbm (mixed materials)	t/h	2,95 / 4,90 / 5,80	8,8 / 11,3	9,6 / 12,3	8,3 / 10,8	4,5 / 7,8	8,8 / 11,3
100 kg / cbm (collected materials)	t/h	4,50 / 7,30 / 8,60	12,7 / 16,4	13,9 / 18,0	12,6 / 15,9	7,2 / 12,3	12,7 / 16,4
Bale weight (up to)	kg	450	500	550	600	550	500
Machine weight	kg	7000 / 7500 / 7800	12800 / 13500	12500 / 13200	12500 / 13200	8500 / 8750	12000 / 12000
Electrical power supply		3 L / N / PE; 400 V, 50 Hz					

Subject to technical changes; the figures are rounded and may vary depending on the equipment version.

PRESTO GmbH & Co. KG

Gewerbepark 4 | D-49196 Bad Laer

Fon +49 5424 2927-0 | Fax +49 5424 2927-90

kontakt@presto.eu | www.presto.eu