


Channel balers

Type CC – short version

 Container Pressen | Schneckenverdichter | Ballenpressen | Umlade- und Verschiebeanlagen | Hub-Kippvorrichtungen
Compactors | Auger Compactors | Balers | Transfer and Shifting Stations | Bin Lifters



Channel balers

Type CC – short version

Versatile and effective

Due to their compact design PRESTO channel balers, type CC, require little space. They are used to compact large quantities of recycling materials to make stable bales. Stable, stackable bales help you to use your storage space and transportation capacity efficiently and to reduce costs.

The system can be fed continuously, either manually or by machine conveyors.

Easy and safe

Reliable function and user-friendliness go without saying for all PRESTO products. Not only in operation, but also in terms of integration into the working environment.

A PRESTO channel baler is ready for use as soon as the machine is installed on its foundation and power is supplied.



Carefree disposal

The reuse of recycling material or disposal of waste is an important task in the business activities of many companies.

Our long-standing experience in environmental technology and our most modern development and production methods allow us to manufacture products which our customers use as a functional and cost-efficient link in the chain of recycling material compaction and disposal.

Tailored for customer needs

Wherever packaging waste and industrial products are generated and need to be disposed PRESTO channel balers can be used.

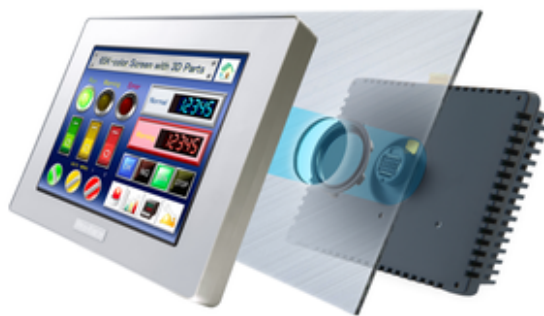
A broad range of accessories is available to meet all customer-specific requirements.

We develop your individual optimum solution for your disposal problem.

Talk to us !

Features and benefits

- The automatic channel adjustment keeps the compaction density of the material constant.
- The push-needle, the automatic binding system and the special position of the hydraulic cylinders make for a most compact design.
- The plunger runs in polyamide guides on all sides and works silently, the sliding guides are low-wear adjustable elements.
- Low consumption of binding wire or PVC binding strap.
- The system with blade and counter-blade ensures continuously high bale quality.
- The PLC system with a touch panel allows you to set important parameters and makes the unit user-friendly.



Guaranteed powerful performance

The robust steel construction and quality workmanship ensure a long service life and reliability.

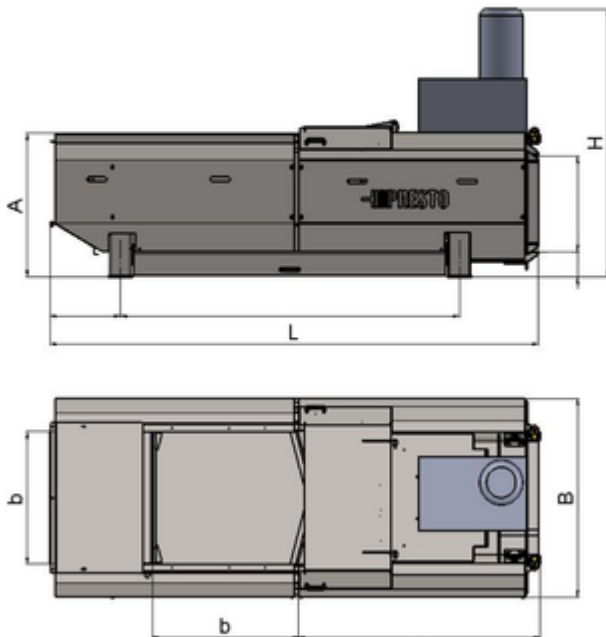
High-quality components ensure reliable function and quite operation < 75 dB (A).

The PRESTO channel baler type CC is available with manual or automatic binding function.

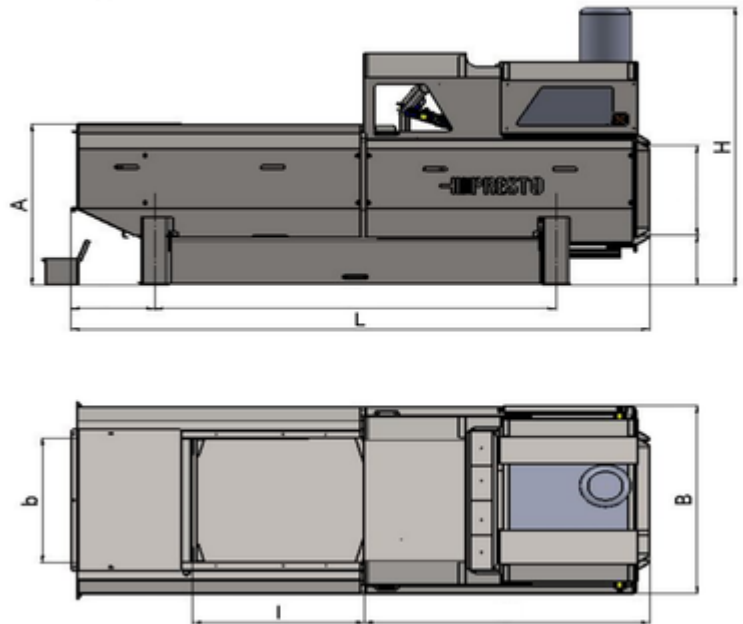
Of course our paints are lead and chromium free, and you can select the colour of your choice.

Channel balers
Type CC – short version

Typ CC - M



Typ CC - V



		CC 20 M	CC 20 V	CC 30 M	CC 30 V	CC 40 M	CC 40 V
Length (L)	mm	3300	3390	3650	3750	3650	3750
Width (B)	mm	1235	1235	1770	1440	1590	1590
Space required	mm	4640 x 2550	4900 x 2550	5400 x 2750	5400 x 2750	5600 x 3150	5600 x 3150
Height (H)	mm	1860	2130	1950	2150	2010	2240
Dimension A	mm	1025	1245	1025	1255	1075	1275
Feeding opening (lxb)	mm	1030 x 750	1000 x 750	1080 x 950	1080 x 950	1080 x 1100	1080 x 1100
Channel cross-section	mm	700 x 750	700 x 750	700 x 950	700 x 950	750 x 1100	750 x 1100
Feeding volume, max.	m ³	0,53	0,53	0,69	0,68	0,85	0,85
Volume throughput with bulk weight							
35 kg / cbm (retail store)	m ³ /h	47	62	42	58	51	71
Compaction force	kN	200	200	300	300	400	400
Specific compaction force	kN/m ²	381	381	450	450	485	485
Cycle time	sec	24	24	34	34	34	34
Number of binding straps/wires	piece	3	3	4	4	4	4
Weight throughput with bulk weight							
35 kg / cbm (retail store)	t/h	1,6	2,2	1,5	2,0	1,8	2,5
60 kg / cbm (mixed materials)	t/h	2,3	3,4	2,0	3,2	2,5	4,0
100 kg / cbm (collected materials)	t/h	2,8	4,8	2,5	4,8	3,1	5,9
Bale weight (up to)	kg	300	300	350	350	400	400
Machine weight	kg	2500	2800	3300	3800	3800	4300
Motor power rating	kW	7,5	7,5	11	11	15	15
Electrical power supply		3 L / N / PE; 400 V, 50 Hz					

Subject to technical changes; the figures are rounded and may vary depending on the equipment version.

PRESTO GmbH & Co. KG

Gewerbepark 4 | D-49196 Bad Laer

Fon +49 5424 2927-0 | Fax +49 5424 2927-90

kontakt@presto.eu | www.presto.eu